

EMMA

(A01, A02)

EN Quick Guide

ZH 快速指南

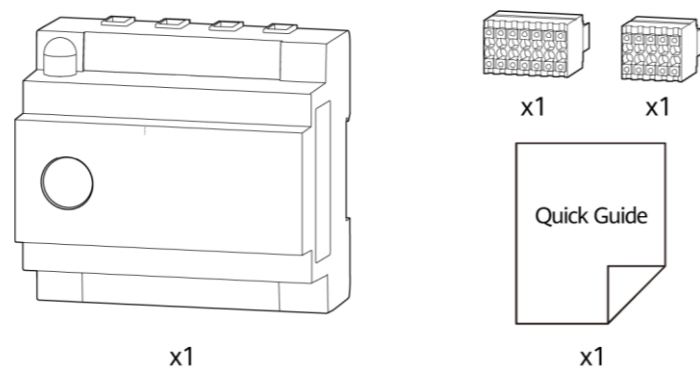
Issue: 01
Part Number: 31500JGH



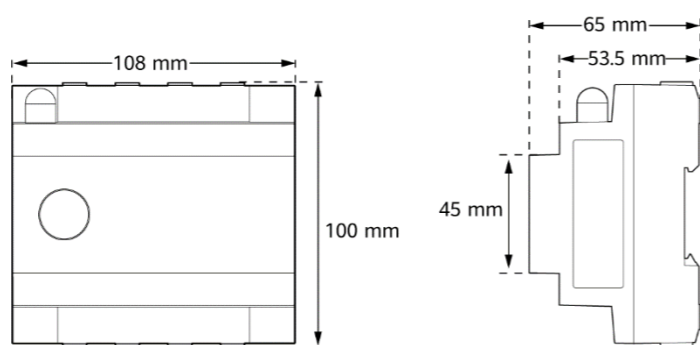
Scan for Support
扫码获取支持

	EMMA-A01	EMMA-A02
EN	Only PV and ESS features are supported. Do not connect signal cables of chargers, heat pumps, and other intelligent electrical equipment to EMMA.	Features of PV, ESSs, smart chargers, and smart loads are supported.
ZH	仅支持光储特性，因此不涉及本文中充电桩、热泵等智能用电设备的信号线连接。	支持光储、智能充电、智能用电特性。

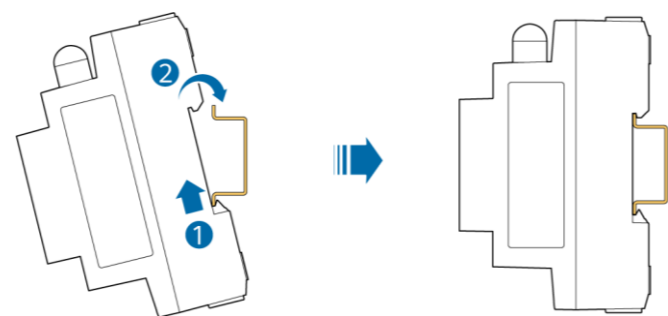
1 EN Package Contents ZH 包装清单



2 EN Installation Requirements ZH 安装要求



3 EN Installing the Equipment ZH 安装设备



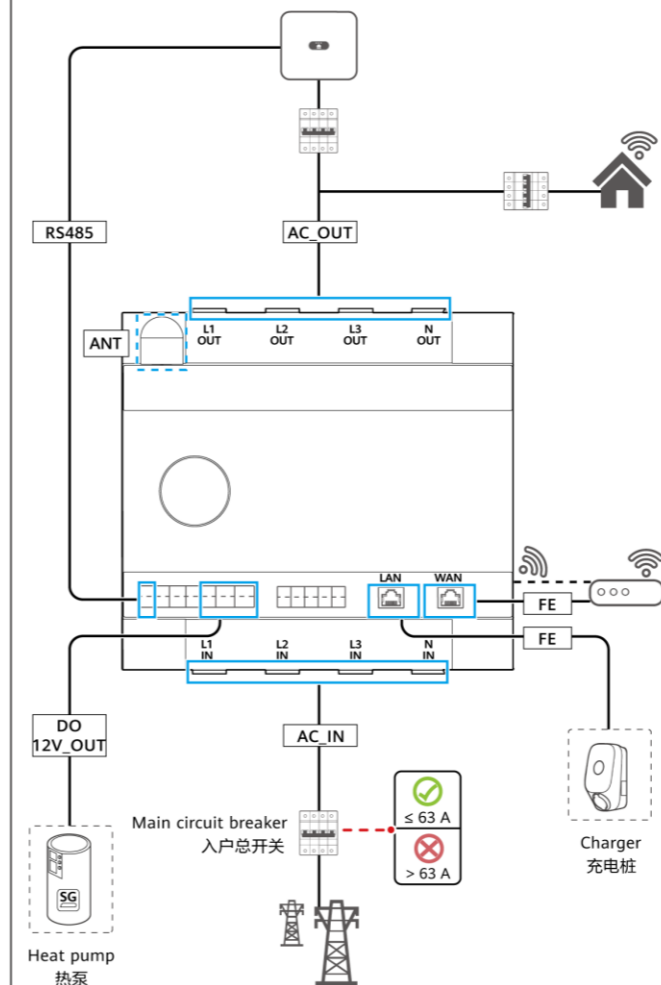
EN Install the EMMA on the DIN 35 mm standard guide rail of the AC power distribution box in which a surge protective device must be configured.

ZH 将EMMA安装至交流配电箱的DIN35mm标准导轨上，配电箱内部必须配置防雷器。

4 EN Preparing Cables ZH 准备线缆

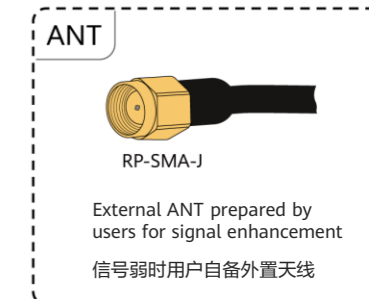
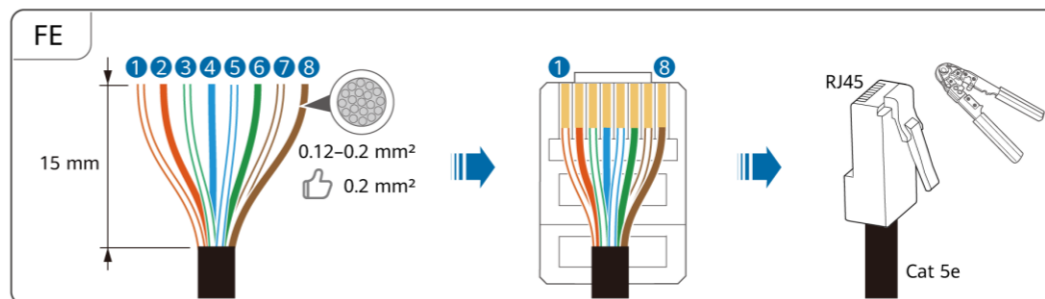
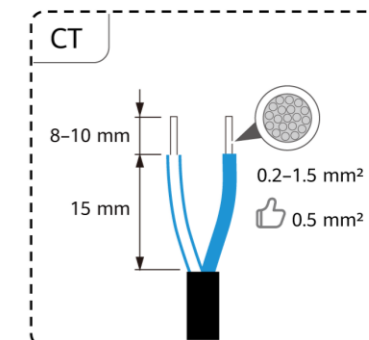
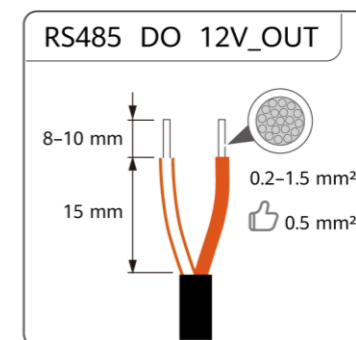
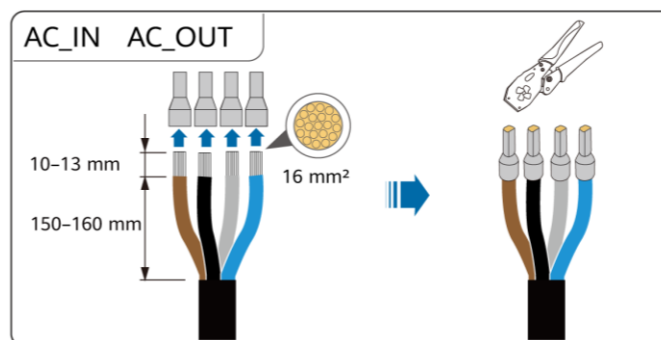
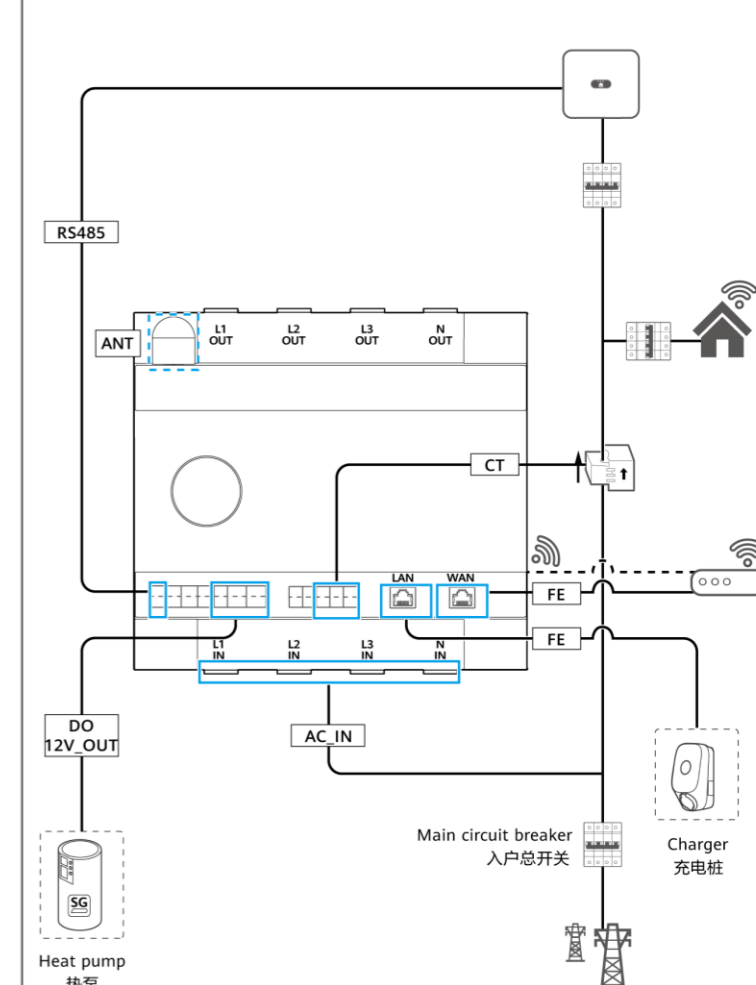
EN Internal CT connection (current ≤ 63 A)

ZH 内置CT接入 (电流 ≤ 63 A)



EN External CT connection (current > 63 A, CT prepared by users)

ZH 外置CT接入 (电流 > 63 A, 用户自备CT)



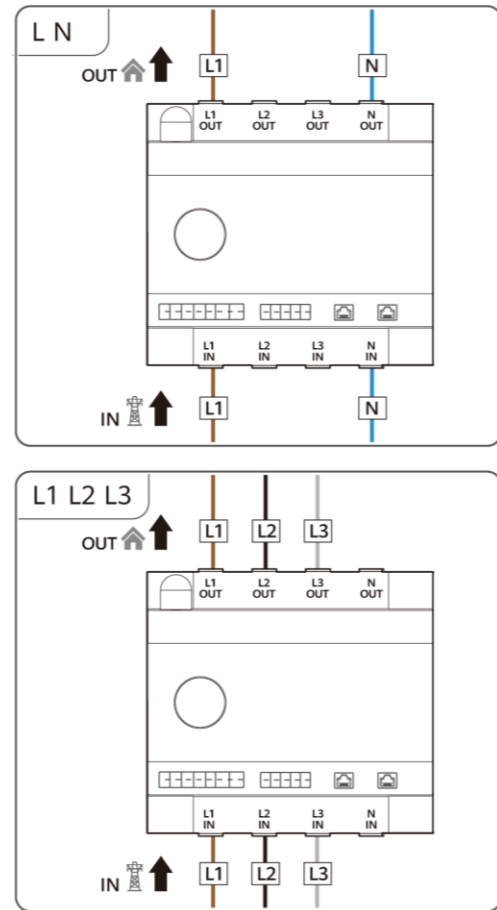
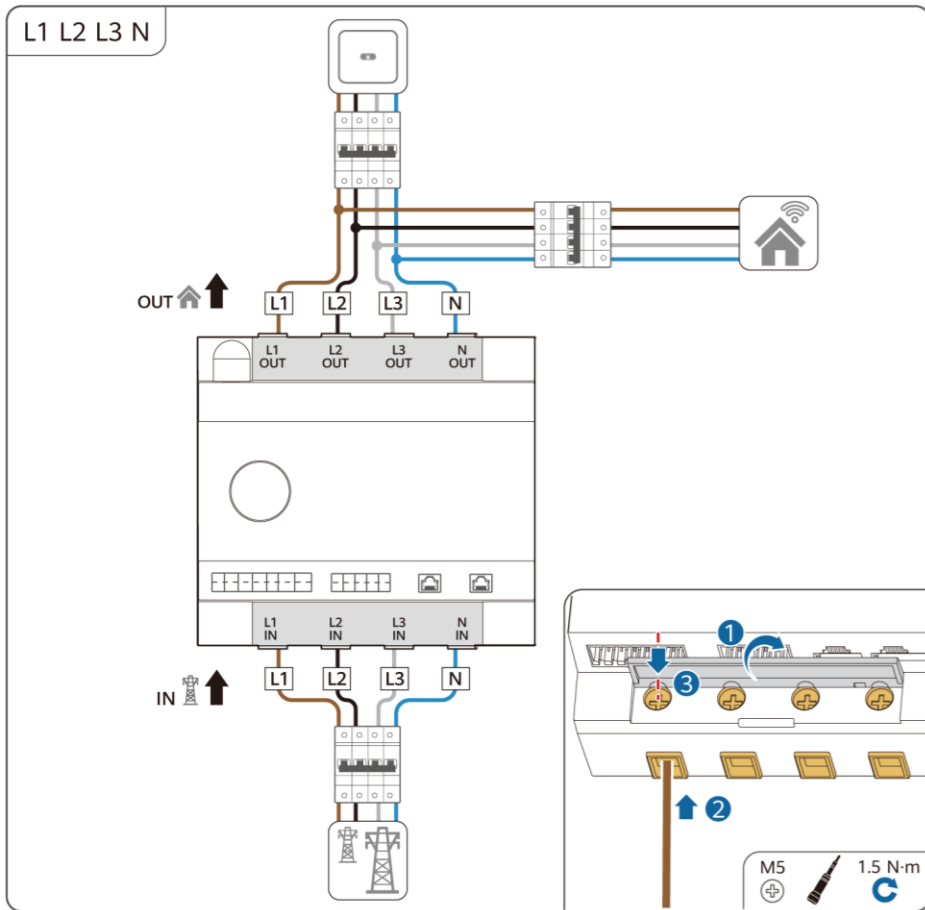
EN Before installing the equipment, read the user manual carefully to get familiar with product information and safety precautions. The product warranty does not cover equipment damage caused by failure to follow the storage, transportation, installation, and usage guidelines specified in this document and the user manual. You can scan the QR code to view the user manual and safety precautions. The information in this document is subject to change without notice. Every effort has been made in the preparation of this document to ensure accuracy of the contents, but all statements, information, and recommendations in this document do not constitute a warranty of any kind, express or implied.

ZH 安装设备前请详细阅读用户手册，了解产品信息及安全注意事项。未按照本文档与用户手册的内容存储、搬运、安装和使用设备而导致设备损坏，不在设备质保范围内。您可以扫描二维码，查阅用户手册和安全注意事项等信息。由于产品版本升级或其他原因，本文档内容会不定期更新。除非另有约定，本文档仅作为使用指导，文档中的所有陈述、信息和建议不构成任何明示或暗示的担保。

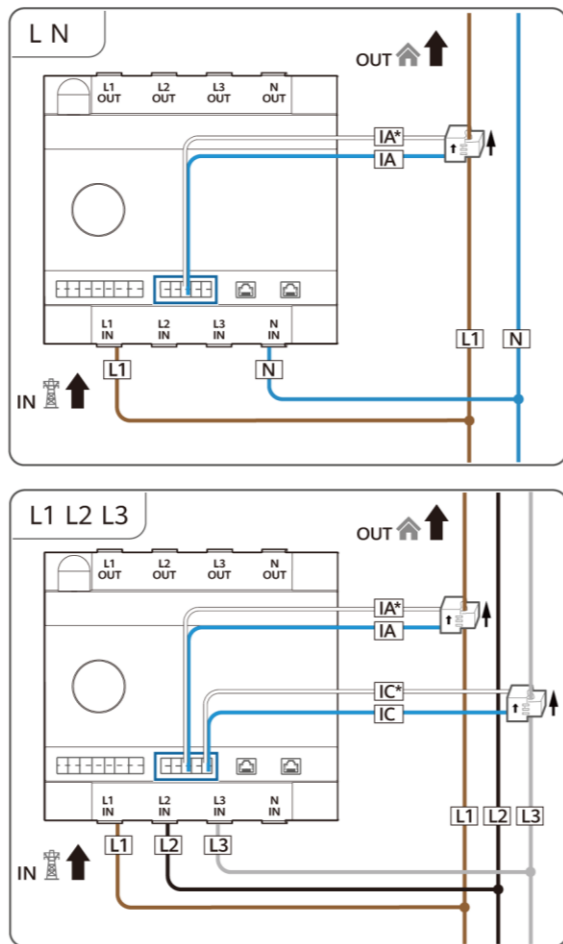
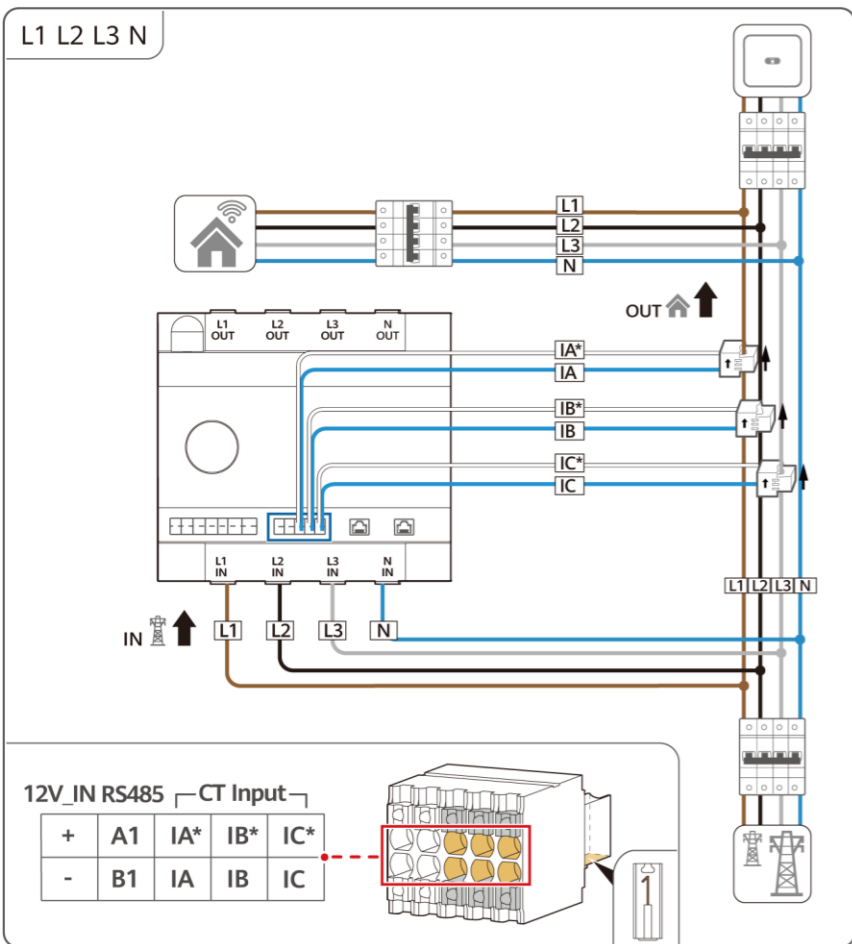
5 EN Connecting AC Power Cables

ZH 连接交流电源线

EN Internal CT connection (current ≤ 63 A) ZH 内置CT接入 (电流 ≤ 63A)

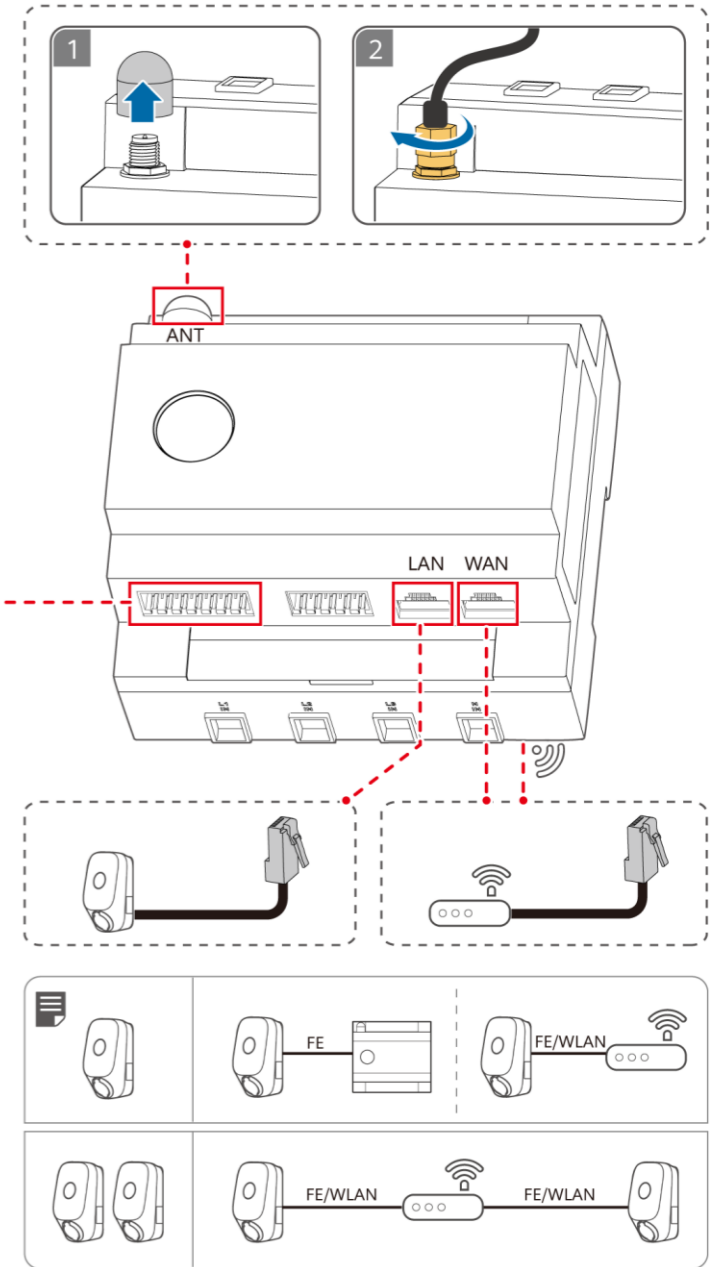
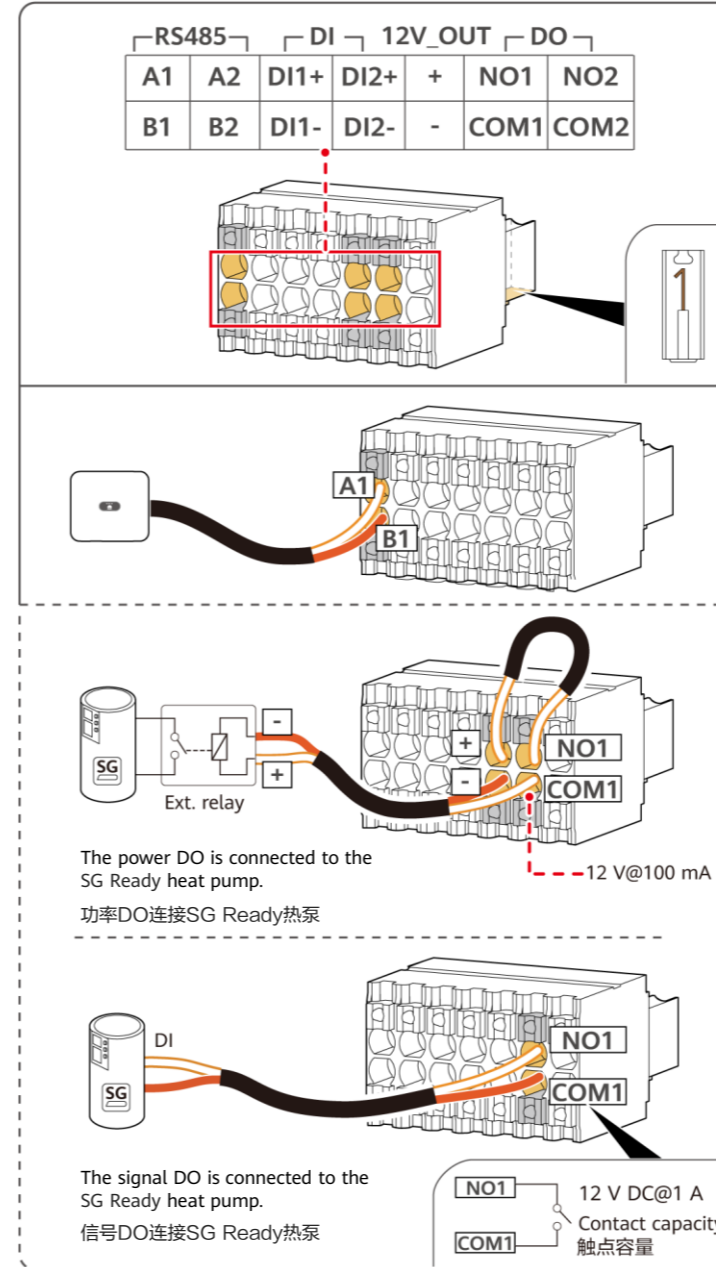


EN External CT connection (current > 63 A) ZH 外置CT接入 (电流 > 63A)



6 EN Connecting Signal Cables

ZH 连接信号线



7 EN Power-On and Commissioning

ZH 上电调测

