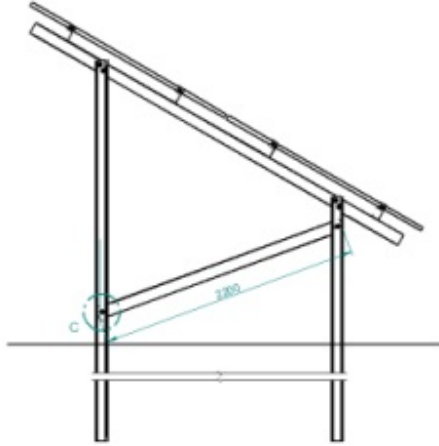


## Brace for legs for free-standing double-support structure

Product code: KW.Stalex.uniwersalne.zastrzał1



The brace for legs in a free-standing double-support structure by Stalex is an optional stabilizing element that significantly enhances the stability and durability of the construction. Particularly useful in difficult terrains and demanding projects, the brace provides additional support, ensuring that Stalex constructions are more reliable and long-lasting. In conditions of heavy soils and large loads, the use of braces becomes crucial for maintaining safety and functionality. With these braces, Stalex delivers solutions that meet even the most stringent requirements.

## Product variants

Index	Price
<b>Brace for legs for free-standing double-support structure</b> KW.Stalex.uniwersalne.zastrzał1	Product prices only visible after login. If you do not have an account, please register.

## Product description

The brace for legs in a free-standing double-support structure by Stalex is an optional stabilizing element that significantly enhances the stability and durability of the construction. Particularly useful in difficult terrains and demanding projects, the brace provides additional support, ensuring that Stalex constructions are more reliable and long-lasting. In conditions of heavy soils and large loads, the use of braces becomes crucial for maintaining safety and functionality. With these braces, Stalex delivers solutions that meet even the most stringent requirements.