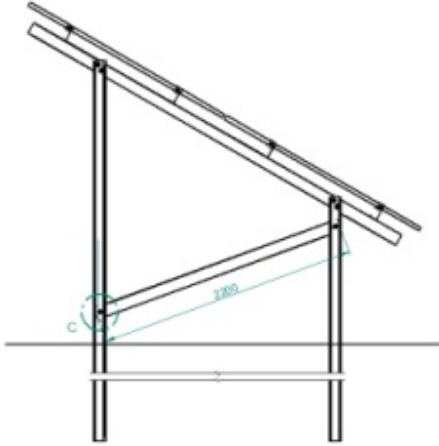


Rear brace for free-standing structure

Product code: KW.Stalex.uniwersalne.zastrzał2



The rear brace in a Stalex free-standing structure, made of an angle bar, is an additional stabilizing element particularly recommended for difficult terrains and demanding projects. By incorporating the rear brace, the structure gains enhanced stability and durability, which is crucial in challenging soil conditions and under greater loads. This solution ensures that the Stalex structure remains reliable and durable even in the toughest ground conditions.

Product variants

Index	Price
Rear brace for free-standing structure KW.Stalex.uniwersalne.zastrzał2	Product prices only visible after login. If you do not have an account, please register.

Product description

The rear brace in a Stalex free-standing structure, made of an angle bar, is an additional stabilizing element particularly recommended for difficult terrains and demanding projects. By incorporating the rear brace, the structure gains enhanced stability and durability, which is crucial in challenging soil conditions and under greater loads. This solution ensures that the Stalex structure remains reliable and durable even in the toughest ground conditions.