

SUN2000-30/36/40KTL-M3 Smart PV Controller



Smart

8 strings intelligent monitoring



Efficient

Max. efficiency 98.7%



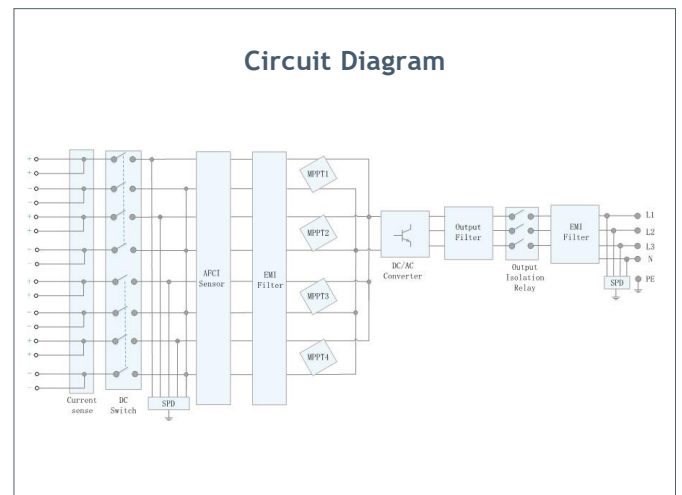
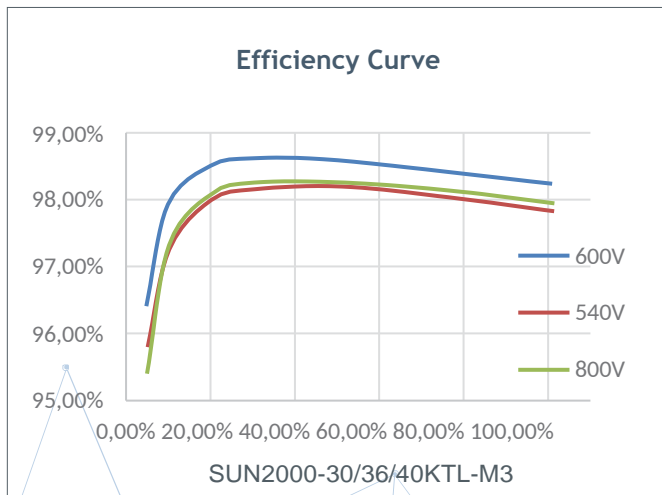
Safe

Fuse free design



Reliable

Type II surge arresters for DC & AC



SUN2000-30/36/40KTL-M3
Technical Specification

| Technical Specification | SUN2000-30KTL-M3 | SUN2000-36KTL-M3 | SUN2000-40KTL-M3 |
|-------------------------|------------------|------------------|------------------|
|-------------------------|------------------|------------------|------------------|

| Efficiency | |
|---------------------|-------|
| Max. Efficiency | 98.7% |
| European Efficiency | 98.4% |

| Input | |
|---|----------------|
| Max. Input Voltage ¹ | 1,100 V |
| Max. Current per MPPT | 26 A |
| Max. Short Circuit Current per MPPT | 40 A |
| Start Voltage | 200 V |
| MPPT Operating Voltage Range ² | 200 V ~ 1000 V |
| Rated Input Voltage | 600 V |
| Number of Inputs | 8 |
| Number of MPP Trackers | 4 |

| Output | | | |
|--------------------------------|--------------------------------------|-----------|-----------|
| Rated AC Active Power | 30,000 W | 36,000 W | 40,000 W |
| Max. AC Apparent Power | 33,000 VA ³ | 40,000 VA | 44,000 VA |
| Rated Output Voltage | 230 Vac / 400 Vac / 480 Vac, 3W/N+PE | | |
| Rated AC Grid Frequency | 50 Hz / 60 Hz | | |
| Rated Output Current | 43.3 A | 52.0 A | 57.8 A |
| Max. Output Current | 47.9 A | 58.0 A | 63.8 A |
| Adjustable Power Factor Range | 0.8 LG 0.8 LD | | |
| Max. Total Harmonic Distortion | < 3% | | |

| Protection | |
|--------------------------------------|-----|
| Input-side Disconnection Device | Yes |
| Anti-islanding Protection | Yes |
| AC Overcurrent Protection | Yes |
| DC Reverse-polarity Protection | Yes |
| PV-array String Fault Monitoring | Yes |
| DC Surge Arrester | Yes |
| AC Surge Arrester | Yes |
| DC Insulation Resistance Detection | Yes |
| Residual Current Monitoring Unit | Yes |
| Arc Fault Protection | Yes |
| Ripple Receiver Control | Yes |
| Integrated PID Recovery ⁴ | Yes |

| Communication | |
|-----------------------|--|
| Display | LED Indicators, Integrated WLAN + FusionSolar APP |
| RS485 | Yes |
| Smart Dongle | WLAN/Ethernet via Smart Dongle-WLAN-FE (Optional) 4G / 3G / 2G via Smart Dongle-4G (Optional) |
| Monitoring BUS (MBUS) | Yes (Isolation Transformer required) |

| General Data | |
|------------------------------|--|
| Dimensions (W x H x D) | 640 x 530 x 270 mm (25.2 x 20.9 x 10.6 inch) |
| Weight (with mounting plate) | 43 kg (94.8 lb) |
| Operating Temperature Range | -25 ~ + 60 °C (-13 °F ~ 140 °F) |
| Cooling Method | Natural Convection |
| Max. Operating Altitude | 4,000 m (13,123 ft.) (Derating above 2000 m) |
| Relative Humidity | 0% RH ~ 100% RH |
| DC Connector | Staubli MC4 |
| AC Connector | Waterproof Connector + OT/DT Terminal |
| Protection Degree | IP 66 |
| Topology | Transformerless |
| Nighttime Power Consumption | ≤ 5.5W |

| Optimizer Compatibility | |
|------------------------------|----------------|
| DC MBUS Compatible Optimizer | SUN2000-450W-P |

| Standard Compliance (more available upon request) | |
|---|---|
| Safety | EN 62109-1/-2, IEC 62109-1/-2, EN 50530, IEC 62116, IEC 60068, IEC 61683 |
| Grid Connection Standards | IEC 61727, VDE-AR-N4105, VDE 0126-1-1, BDEW, G59/3, UTE C 15-712-1, CEI 0-16, CEI 0-21, RD 661, RD 1699, P.O. 12.3, RD 413, EN-50438-Turkey, EN-50438-Ireland, C10/11, MEA, Resolution No.7, NRS 097-2-1, AS/NZS 4777.2, DEWA |

1. The maximum input voltage is the upper limit of the DC voltage. Any higher input DC voltage would probably damage inverter.
2. Any DC input voltage beyond the operating voltage range may result in inverter improper operating.
3. For Austria, German, Belgium & Ukraine the Max. AC Apparent Power will not exceed 30,000 VA (with regard to grid code: VDE-AR-N-4105, C10/11 & Austria)
4. SUN2000-30-40KTL-M3 raises potential between PV- and ground to above zero through integrated PID recovery function to recover module degradation from PID. Supported module types include: P-type (mono, poly), N-type (nPERT, HIT)